

Name: _____ Date: _____ Event: _____

Track: INDOOR OUTDOOR Size: SMALL MEDIUM LARGE Traction: LOW MEDIUM HIGH

Surface: SMOOTH BUMPY RUTTED Type: LOOSE / LOAMY HARD PACKED BLUE GROOVE CLAY ASTRO

Bumpsteer/Ackerman/Servo Saver/Steering Stop: _____ Condition: DUSTY DRY WET MUDDY

WASHERS:

WASHERS:

FRONT OF VEHICLE

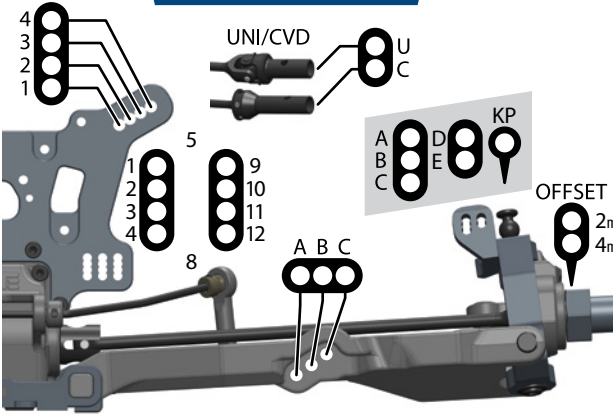
(plate can be flipped)

FULL TURNS FROM FULLY TIGHT

WASHERS:

SCREW:

Front End:



Suspension:

RIDE HEIGHT: _____ CAMBER: _____

CASTER BLOCK: _____ SWEEP: _____

KICK UP: _____ TOE: _____

SWAY BAR: _____ DROOP: _____

Shocks:

OIL: _____ BRAND: _____

PISTON: _____ SPRING: _____

REBOUND: _____ BUILD: _____

Differential Oil:

FRONT CENTER REAR

Drivetrain:

CLUTCH / SPUR: _____ / _____ (teeth)

CLUTCH SHOES: _____

CLUTCH SPRINGS: _____

BRAKE BIAS %: _____ (front) _____ (rear)

Equipment:

ENGINE / PIPE: _____ / _____

FUEL / PLUG: _____ / _____

RX BATTERY: _____

STEERING THROTTLE / BRAKE

SERVOs: _____ / _____

Chassis Braces:

REAR-SHORT: REAR-LONG:

Tires / Wheels:

BRAND / TREAD: _____

COMPOUND: _____

INSERT: _____

WHEEL: _____

NOTES: _____

Body / Wing:

BODY MAKE: _____

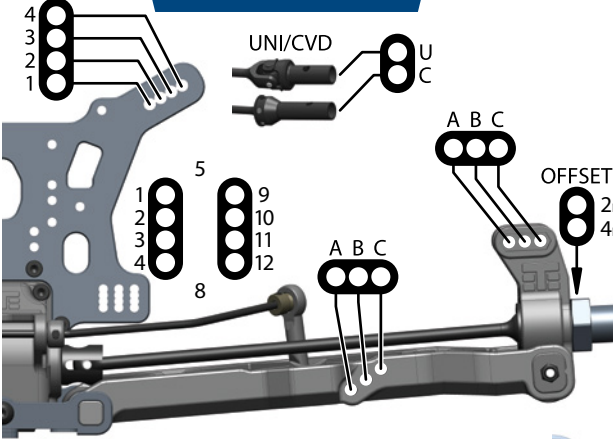
WING MAKE: _____

WING MOUNT POSITION: _____

STANDARD: +7mm: +12mm:

Notes:

Rear End:



Suspension:

RIDE HEIGHT: _____ CAMBER: _____

ANTI-SQUAT: _____ TOE: _____

SWAY BAR: _____ DROOP: _____

Shocks:

OIL: _____ BRAND: _____

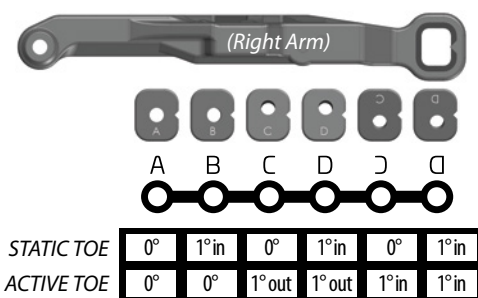
PISTON: _____ SPRING: _____

REBOUND: _____ BUILD: _____

"D" Block:

(Rear Toe)
(2.5° with center dot inserts)

Arm Inserts:



Rear Hub / Wheelbase:

